

# HEP

Heat Exchanger

**PRODUCTS**

- ✓ Ink cooling
- ✓ Plate design
- ✓ High efficiency
- ✓ Stainless steel
- ✓ Insulated
- ✓ Encapsulated



 **SWISS MADE**

## PRINCIPLE

HEP is a plate heat exchanger for the cooling of the inks. Temperature is an important parameter in the printing process, and HEP permits to control and manage it in a perfect way, in order to obtain excellent printing results, optimize ink consumption and guarantee constant printing quality reducing also solvent evaporation. The main structure is in stainless steel, and every component is robust, resistant and in PA encapsulated. High efficiency is ensured.

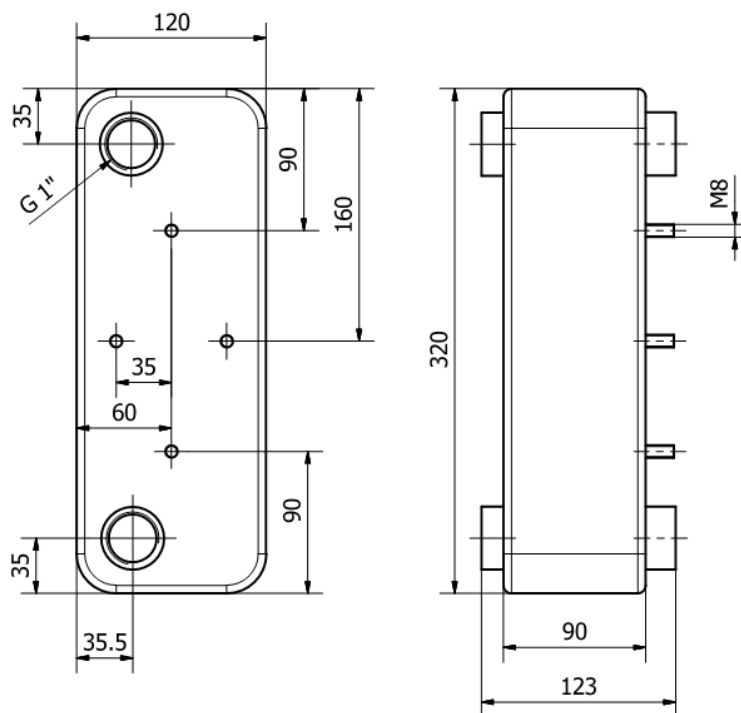
## APPLICATIONS

- Gravure
- Flexo
- Solvent based ink
- Water based ink
- Oil
- Chemical

## SPECIFICATIONS

- Cold water Temp: 10 - 12°C
- Cold water min. flow: 8 - 15 L/min
- Temperature: 0 - 100°C

## DIMENSIONS



## **NEW CELIO ENGINEERING SA**

Viscosity & Ink Control Specialist

[WWW.NEWCELIO.COM](http://WWW.NEWCELIO.COM)

INFO@NEWCELIO.COM

T +41 91 868 15 33

F +41 91 868 19 10

ZONA INDUSTRIALE

CH-6775 AMBRÌ

SWITZERLAND

