

VISCOLETTO

Viscosity Measuring Unit

PRODUCTS

- ✓ Spherocolor technology
- ✓ High accuracy
- ✓ Compact design
- ✓ Self cleaning
- ✓ Temperature measurement
- ✓ ATEX certificate
- ✓ Teflon coated
- ✓ Low maintenance



 **SWISS MADE**

PRINCIPLE

VISCOLETTO is a drop-sphere viscometer (spherocolor) suitable for rotogravure, flexo and narrow print applications. The new compact and light measuring device allows easy installation on every press. Every component is robust and resistant for a long-lasting application. Valves are especially sturdy to withstand heaviest working conditions and many cycles per day. Solid state sensors are used. Teflon coating guarantees a perfect cleaning with every kind of inks and lacquers. Installation is quick and easy. Temperature measurement is built-in.

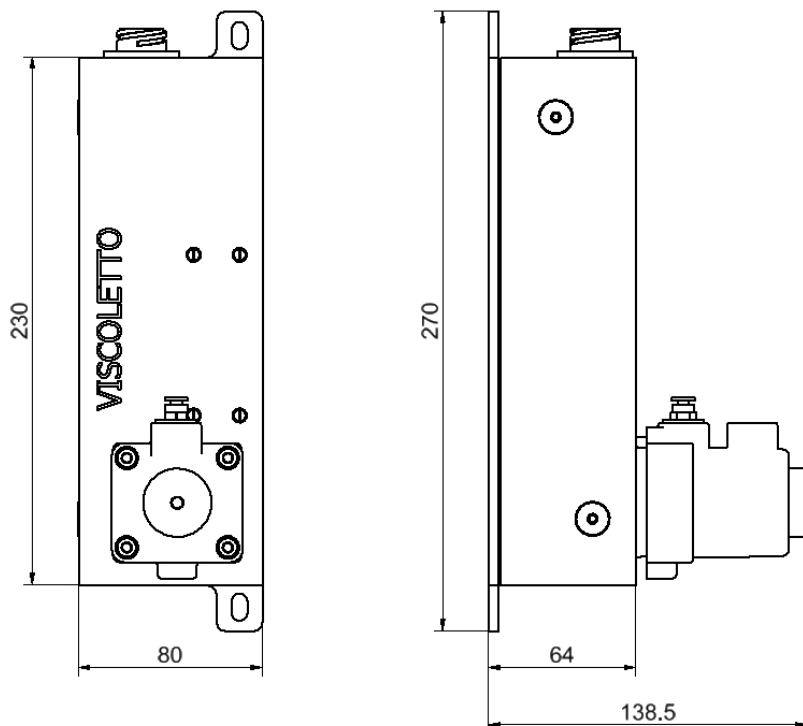
APPLICATIONS

- Gravure
- Flexo
- Narrow web
- Solvent based ink
- Water based ink
- Oil
- Chemical

SPECIFICATIONS

- Viscosity: 1 - 2000 mPas
- Accuracy: 1%
- Temperature: 5 - 60°C
- Matching cup: every cup

DIMENSIONS



NEW CELIO ENGINEERING SA

Viscosity & Ink Control Specialist

WWW.NEWCELIO.COM

INFO@NEWCELIO.COM

T +41 91 868 15 33

F +41 91 868 19 10

ZONA INDUSTRIALE

CH-6775 AMBRÌ

SWITZERLAND

