

VISCOLINO

Viscosity Measuring Unit

PRODUCTS

- ✓ Spherocolor technology
- ✓ High accuracy
- ✓ Self cleaning
- ✓ Temperature measurement
- ✓ ATEX certificate
- ✓ "One-screw" installation
- ✓ Teflon coated
- ✓ Low maintenance



 **SWISS MADE**

PRINCIPLE

VISCOLINO is a drop-sphere viscometer (spherocolor) which represents the best compromise between dimensions and measuring accuracy: spherocolor technology guarantees high stability, precision and reproducibility. Every component is robust and resistant for a long-lasting application. Valves are especially sturdy to withstand heaviest working conditions and many cycles per day. Solid state sensors are used. Teflon coating ensures a perfect cleaning with every kind of inks and lacquers. Installation is quick and easy. Temperature measurement is built-in.

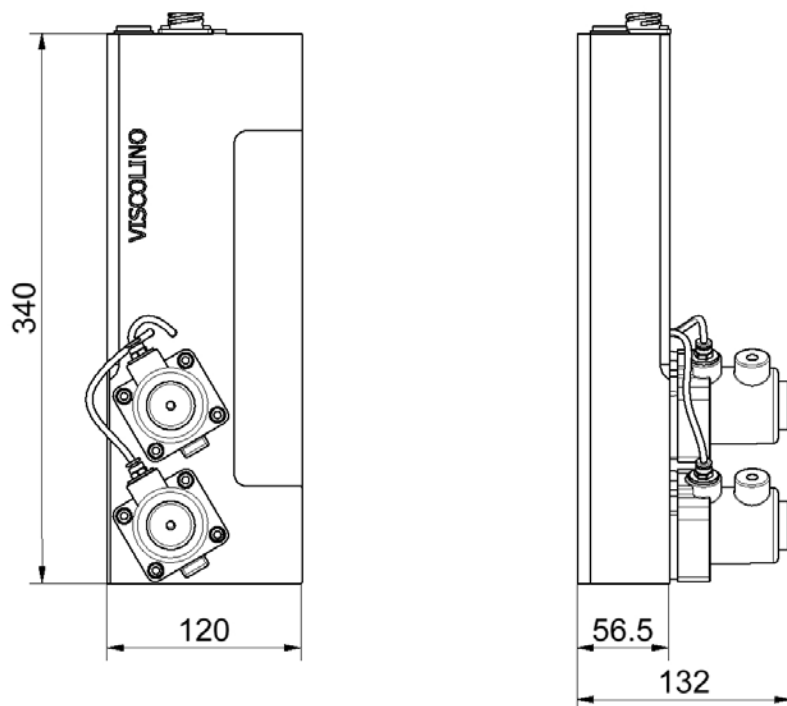
APPLICATIONS

- Gravure
- Flexo
- Narrow web
- Coating / Adhesive
- Solvent based ink
- Water based ink
- Varnish
- Two-component lacquer
- Oil
- Chemical

SPECIFICATIONS

- Viscosity: 1 - 2000 mPas
- Accuracy: 0.8%
- Temperature: 5 - 60°C
- Matching cup: every cup

DIMENSIONS



NEW CELIO ENGINEERING SA

Viscosity & Ink Control Specialist

WWW.NEWCELIO.COM

INFO@NEWCELIO.COM

T +41 91 868 15 33

F +41 91 868 19 10

ZONA INDUSTRIALE

CH-6775 AMBRÌ

SWITZERLAND

