

VISCOWAVE

Viscosity Measuring Unit

PRODUCTS

- ✓ Wavecolor technology
- ✓ High accuracy
- ✓ Cleaning not required
- ✓ Temperature measurement
- ✓ ATEX certificate
- ✓ Easy in-line installation
- ✓ Stainless Steel
- ✓ No maintenance
- ✓ No wearing parts



 **SWISS MADE**

PRINCIPLE

VISCOWAVE is a stainless steel viscometer based on the vibrating rod (wavecolor technology). The construction is very robust and compact. The in-line installation is quick and easy. The system is conceived without wearing parts and temperature measurement is built-in.

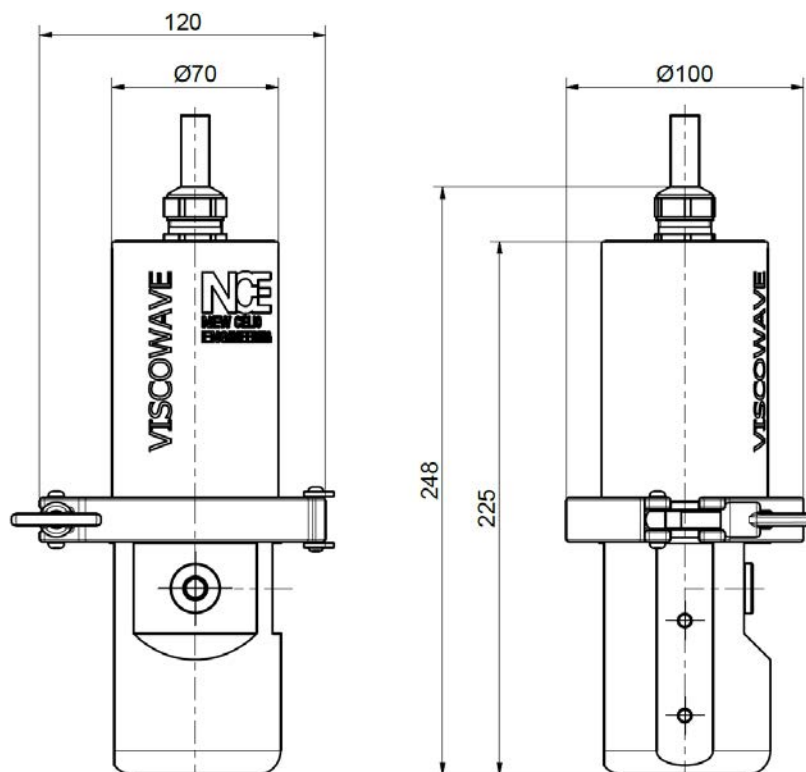
APPLICATIONS

- Gravure
- Flexo
- Narrow web
- Coating / Adhesive
- Solvent based ink
- Water based ink
- Varnish
- Two-component lacquer
- Oil
- Chemical

SPECIFICATIONS

- Viscosity: 1 - 2000 mPas
- Accuracy: 1%
- Temperature: 5 - 60°C
- Matching Cup: every cup

DIMENSIONS



NEW CELIO ENGINEERING SA

Viscosity & Ink Control Specialist

WWW.NEWCELIO.COM

INFO@NEWCELIO.COM

T +41 91 868 15 33

F +41 91 868 19 10

ZONA INDUSTRIALE

CH-6775 AMBRÌ

SWITZERLAND

